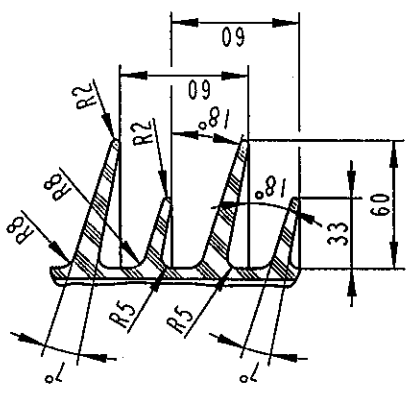


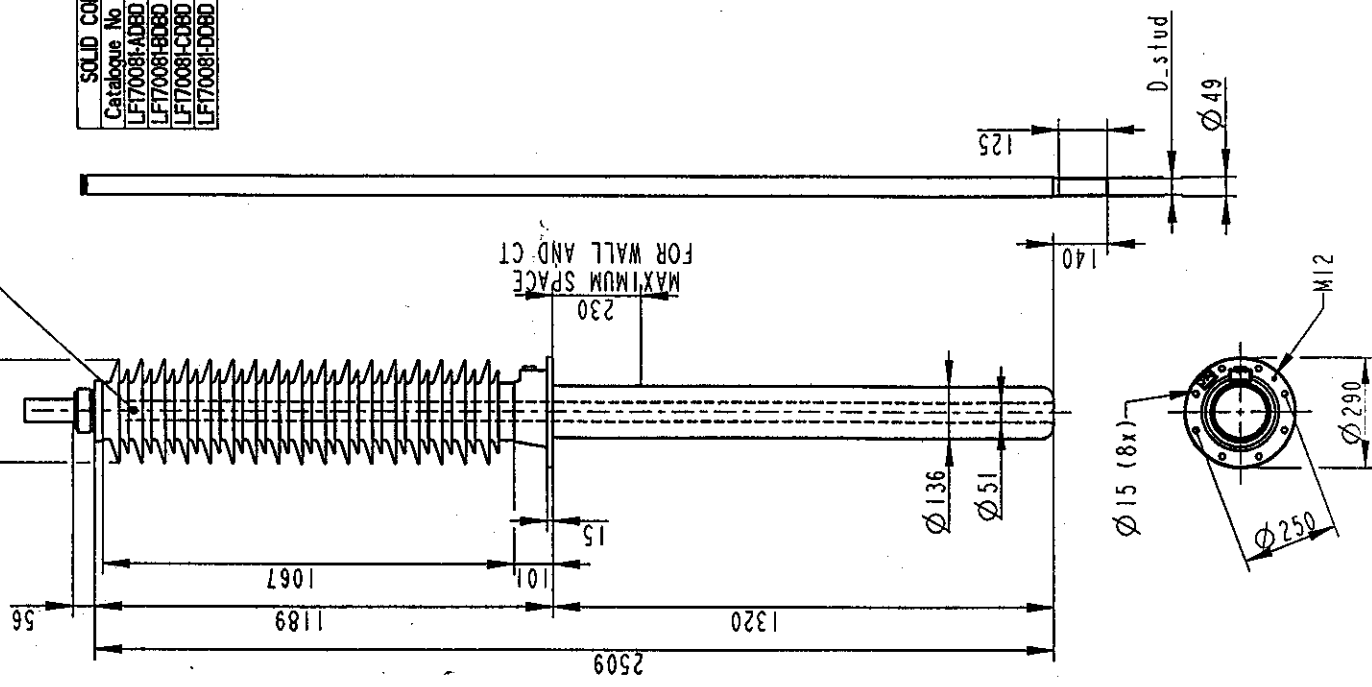
BUSHING NAME: LF130123-BD

SOLID CONDUCTOR	
Catalogue No	D-STUD
LF170081-ADBD	40
LF170081-BDBD	30
LF170081-CDBD	40
LF170081-DEBD	30

OUTER TERMINAL				
Catalogue No	MATERIAL	MASS	H2	D-STUD
LF170079-A	AL	2.3	125	60
LF170079-B	AL	1.6	125	30
LF170079-C	CU	6.2	125	60
LF170079-D	CU	3.6	125	30
LF170079-E	CU/SN	6.2	125	60
LF170079-F	CU/SN	3.6	125	30
LF170079-G	CU/AG	6.2	125	60
LF170079-H	CU/AG	3.6	125	30



<b>ABB Components</b>	Luhita, Sweden
GSA123-AA/2000	LF130123-BD
Ma	170/170
U <sub>1</sub> /s <sub>1</sub> /AC	NV 2000 A 50/60 Hz
M	550 / - / 230
Cl	lg L 1320 mm V 0-90
C2	pF Tan δ



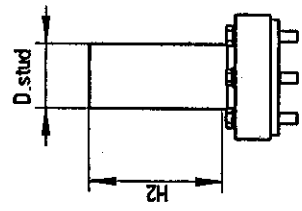
ELECTRICAL DATA, according to IEC 137	
Ratings	Rated voltage
	170 kV
	Max phase to earth voltage, temporary
	170 kV
	Max current with Cu-conductor
	2000 A
	Max current with Al-conductor
	1250 A
	Dry lightning impulse
	550 kV
	Wet power frequency
	230 kV
	Dry power frequency
	230 kV
	Nominal capacitance
	426 pF

GENERAL DATA, according to IEC 137	
Silicone rubber insulator	Creepage distance
	3913 mm
	Protected creepage distance
	1700 mm
	Colour
	GREY RAL 7035
	Mass bushing
	62 kg
	Cartilever test load, heavy load
	5000 N
	Max cartilever operating load, bushing
	2500 N
	Temp class
	CLASS 2
	Mounting and service instructions
	2750 516-133

ELECTRICAL DATA according to ANSI C57.19.00	
Ratings	Insulation class
	115 kV
	Rated max. line to ground voltage
	88 kV
	Max current with Cu-conductor
	2000 A
	Max current with Al-conductor
	1250 A

Dim. requirements acc. to C57.19.01 not fulfilled	Reg. No.	Title
		AIR-AIR BUSHING
	Responsible department	GSA123-AA/2000
	COM/BKU 96.44	
	Total over department	
	Database	
	Doc. No.	2751362-DBD
	Page	1(1)

Rev. No.	Revision	Appr.	Date
1	New outer terminal	CL	96.46
2	Drawing changed	FP	98.08
3	Redrawn	LOS	98.44



No reserve all rights in this document and in the formation contained therein. Reproduction, use or distribution in third parties without express authority is strictly forbidden.